

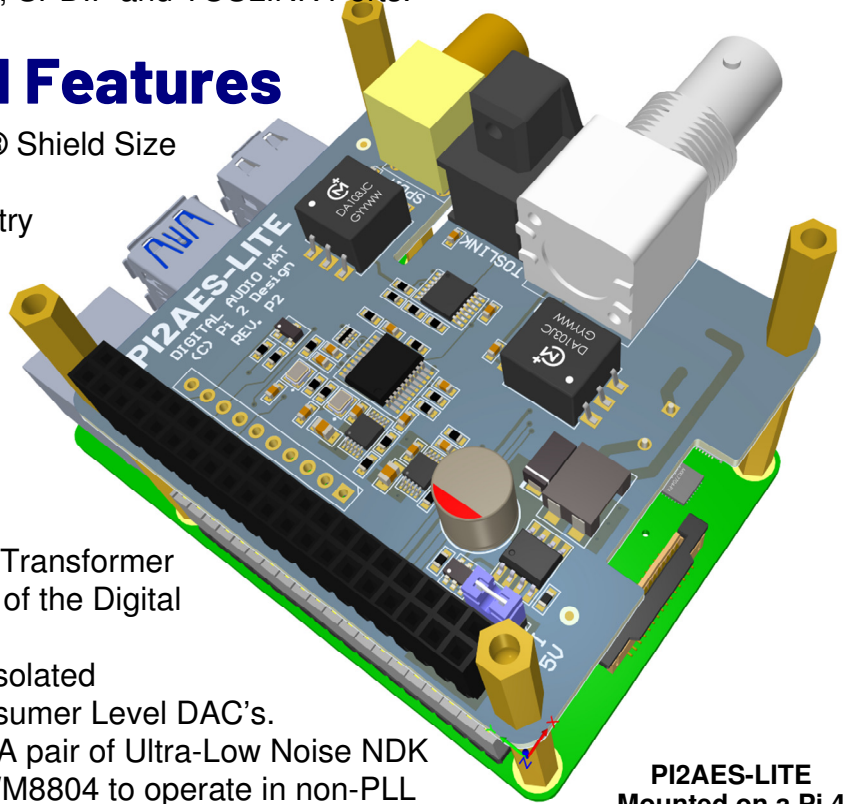
PI2AES-LITE - Pro Audio Shield

Introduction and Overview

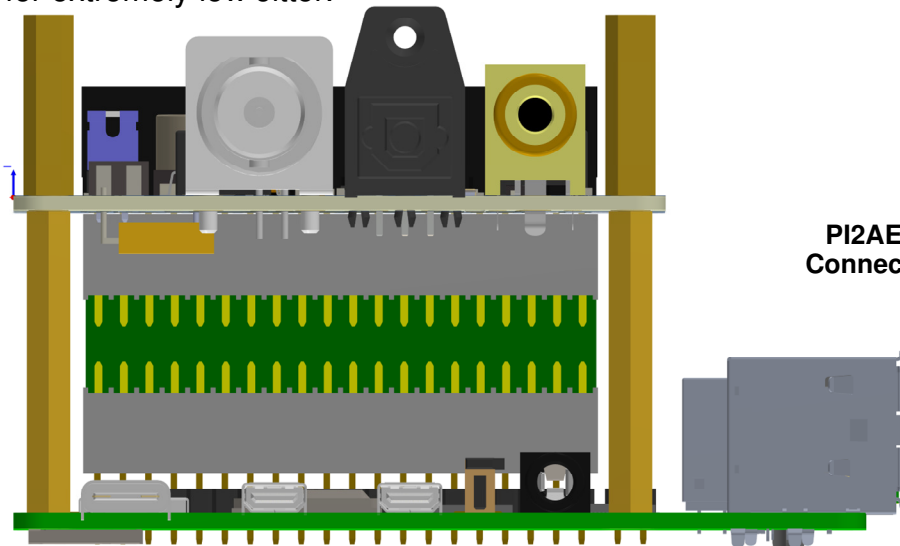
The PI2AES-LITE, designed and manufactured by PI 2 Design, is a professional I/O Shield designed to bring Professional Studio Grade Audio to the Raspberry Pi® family of Single Board Computers. This low cost Shield converts the Raspberry Pi® I2S Interface to High Definition Digital Audio via Isolated AES COAX, SPDIF and TOSLINK Ports.

Specifications and Features

- **FORM FACTOR** – Raspberry Pi® Shield Size w/40-Pin mating connector.
- **AES TRANSMITTER** – The industry standard WM8804 converts the PI I2S stream to AES3/SPDIF 24-Bit Data up to 192Khz.
- **AES COAX OUTPUT** – A 1:1 Isolation Transformer provides 75-ohm Impedance Controlled Transmission of the Digital Audio Data via AES Standard BNC.
- **SPDIF OUTPUT** – A 1:1 Isolation Transformer provides Bit Perfect Transmission of the Digital Audio Data via RCA Jack.
- **TOSLINK OPTICAL OUTPUT** – Isolated Optical Transmitter Supports Consumer Level DAC's.
- **HIGH RESOLUTION CLOCKS** – A pair of Ultra-Low Noise NDK NZ2520SD oscillators allow the WM8804 to operate in non-PLL mode for the lowest possible noise.
- **ULTRA-LOW NOISE LDO's** – Dual, Ultra-Low Noise LT34042 LDO's (0.9uV noise and 80dB PSRR) are used to supply the WM8804 AES Transmitter and the High-Resolution NDK Clocks for extremely low Jitter.



PI2AES-LITE
Mounted on a Pi 4



PI2AES-LITE
Connector View

